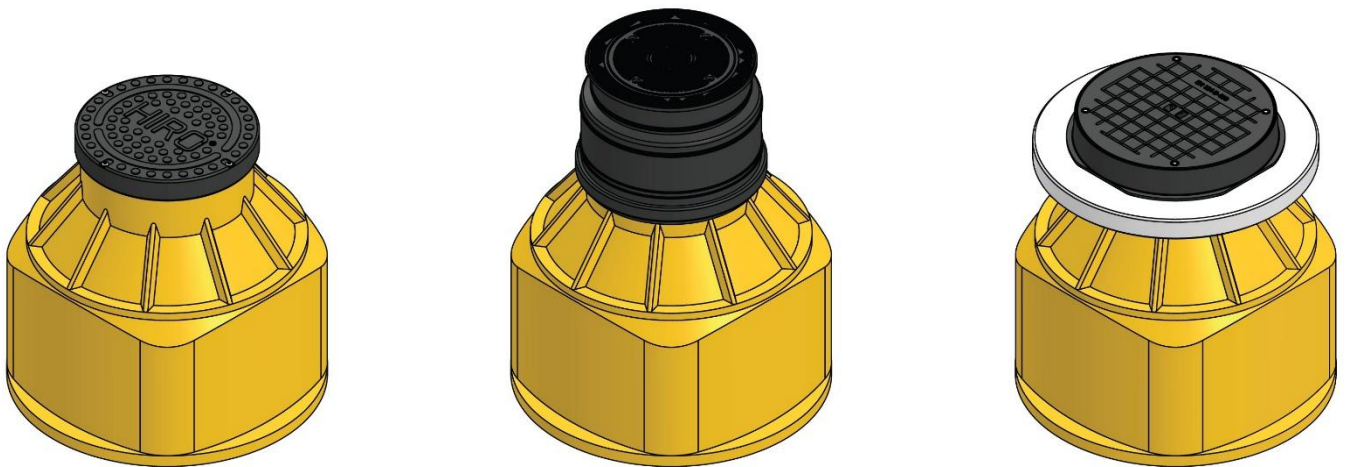


CHAMBER COVERS DN 400

For the HIRO distribution chambers XXS and XS with a 400 mm shaft neck, we offer three types of chamber covers.

The standard version includes a cost-effective, walkable cover lid. Alternatively, a telescopic, watertight chamber cover of load class A15 is available.

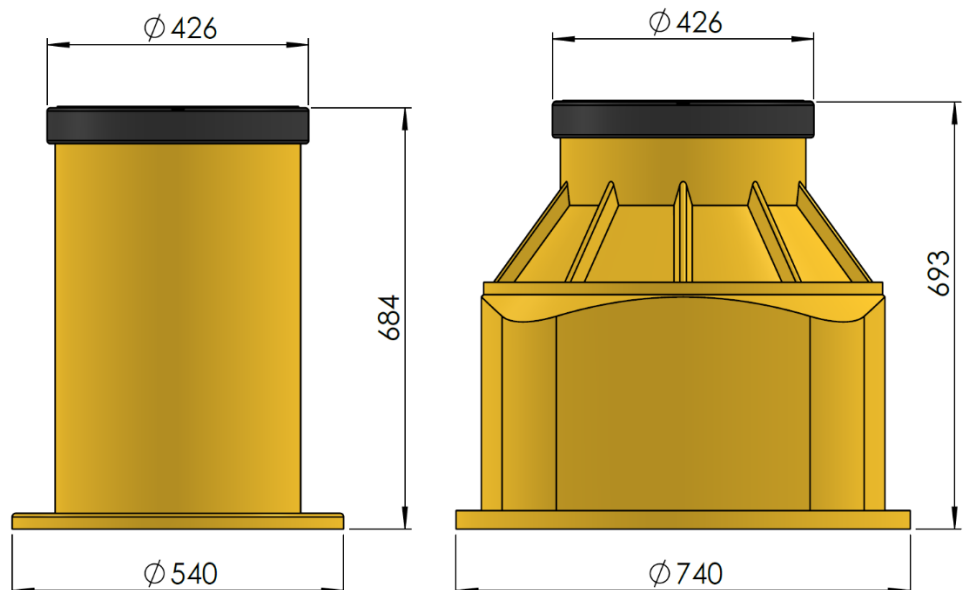
For applications with higher traffic loads, we offer a cast iron cover of load class D400, which, when properly installed, ensures safe load transfer into the surrounding ground structure.



CHAMBER COVER STANDARD

Item number: ZB-ABD-XS-STD

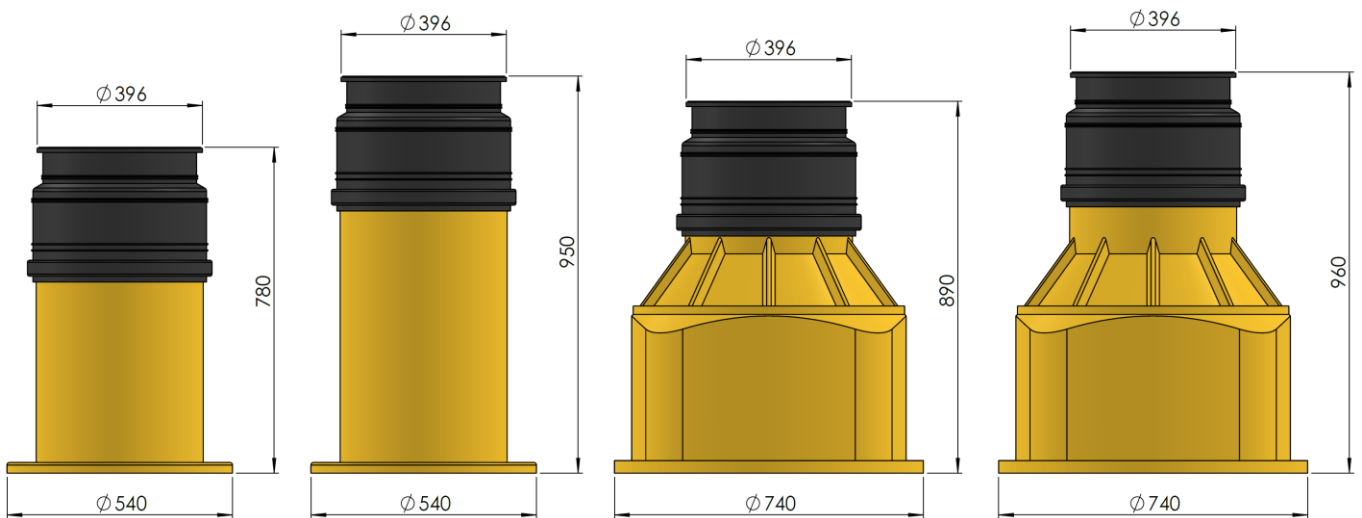
- Bolted cover lid (four-point fastening)
- Walkable
- Without gasket



CHAMBER COVER A 15

Item number: ZB-ABD-XS-A15

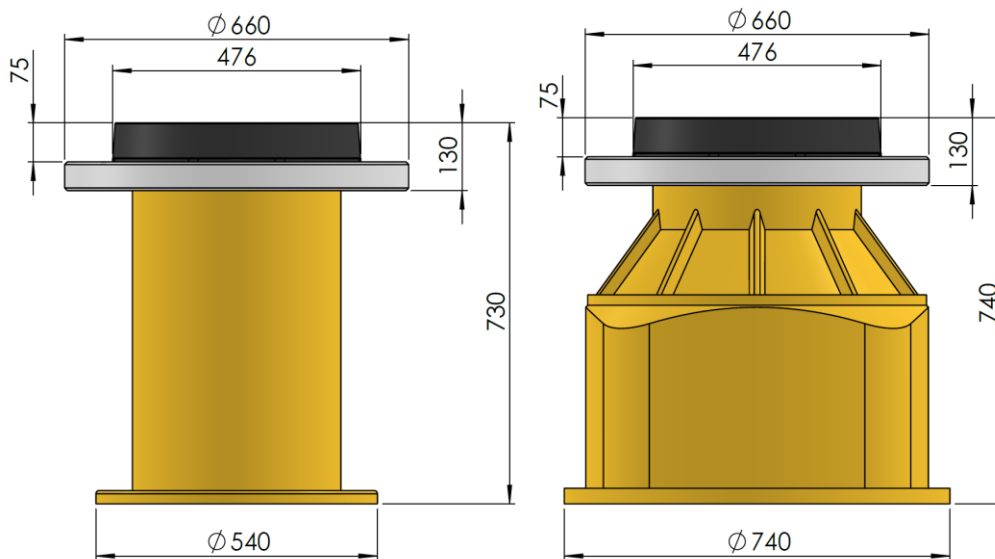
- PP chamber cover
- Load class A15* according to DIN EN 124
- Watertight, with four-point bolted fastening and gasket
- Clear opening: 250 mm
- Telescopic frame with gasket to the shaft neck



CHAMBER COVER D 400

Item number: ZB-ABD-XS-D400

- Cast iron cover with gasket to the shaft neck
- Load class D400* according to DIN EN 124
- Clear opening: 400 mm
- Watertight, with four-point bolted fastening and gasket
- Concrete support ring available as an accessory (item number BAR-XS)



* The specified load class can only be ensured through proper installation with load-bearing measures.

ACCESSORY CHAMBER EXTENSION

Item number: ZB-VL-XS-XXS

Extension made from PE for manifold chambers of Series XS and XXS with a nominal chamber neck diameter of 400 mm. Cutting lines marked on the exterior facilitate trimming to the desired installation height.

Set with matching gasket DLKS-21-50-400.

	Min.	Max.
Erreichbare Höhe [mm]	760	1.190

